



# HOT VERTICAL DISPLAY SHOWCASE

## Features:

- Forced air circulation
- Hollow glass structure
- LED front lighting
- Easy to clean
- Intelligent electronic controller
- Equipped with castors
- Standard castors

## Certifications:



Models	Capacity (L)	Temperature (°C)	External Dimensions (mm)	Shelves Included	Amps (A)	Voltage/Frequency (V/Hz)	Input Power (Watt)	Temperature Display (°C)	Thermostat Display (°C)	Door	Castor Wheels
WHF097F	309	45~75	900x740x1215	2	14	230/50	2100	65~75	30~99	2 glass door	Yes
WHF127F	429	45~75	1200x740x1215	2	18	230/50	2100	65~75	30~99	2 glass door	Yes
WHF097Z	390	45~75	900x740x1365	3	14	230/50	2100	65~75	30~99	2 glass door	Yes
WHF127Z	530	45~75	1200x740x1365	3	18	230/50	2100	65~75	30~99	2 glass door	Yes



WHF097F  
WHF127F



WHF097Z  
WHF127Z





# HOT COUNTERTOP DISPLAY SHOWCASE

## Features:

- Brilliant LED illumination
- Adjustable temperature controller
- Temperature display
- Adjustable stainless shelves
- Front curved glass
- Sliding door

## Certifications:



Models	Capacity (L)	Temperature (°C)	External Dimensions (mm)	Shelves Included	Amps (A)	Voltage/Frequency (V/Hz)	Input Power (Watt)	Gross Weight (kg)	Temperature Display (°C)	Thermostat Display (°C)	Door	Castor Wheels
WHF150L	150	30~90	678x580x700	3	5.5	230/50	1250	61	30~90	30~100	2 glass door	No
WHF200L	200	30~90	678x580x900	3	7.2	230/50	1650	76	30~90	30~100	2 glass door	No
WHY125L	125	30~90	678x580x700	3	5.5	230/50	1250	58	30~90	30~100	2 glass door	No
WHY160L	160	30~90	678x580x900	3	7.2	230/50	1650	70	30~90	30~100	2 glass door	No



WHF150L  
WHF200L



WHY125L  
WHY160L





# US COUNTERTOP BROILERS

## Features:

- Stainless steel exterior & interior
- 35,000 BTU stainless burners
- Independent manual controls
- Heavy duty, reversible cast iron
- Top grates are adjustable
- Include lava briquettes
- 3/4" NPT rear gas connection

## Certifications:



Models	Net Weight (kg)	Burners Included	External Dimensions (mm)	Control Method	Per BTU (B.T.U./h)	Total BTU (B.T.U./h)
--------	-----------------	------------------	--------------------------	----------------	--------------------	----------------------

### Charbroilers

ATCB-24	62	2	609x701x386	manual	35.000	70.000
ATCB-36	83	3	914x701x386	manual	35.000	105.000
ATCB-48	110	4	1219x701x386	manual	35.000	140.000

### Radiant Broilers

ATRC-24	51	2	609x701x386	manual	35.000	70.000
ATRC-36	72	3	914x701x386	manual	35.000	105.000
ATRC-48	92	4	1219x701x386	manual	35.000	140.000

\* 2 gas option: LNG/LPG



ATRC-48



ATRC-36



ATCB-24



ATCB-36



ATCB-48



ATRC-24





# US GRIDDLES

## Features:

- Stainless steel exterior & interior
- Stainless steel grease drawer
- Heavy duty 3/4" thick polished plate
- 30.000 BTU burners per 12" section
- Independent manual controls
- Stainless steel leg standard
- 3/4" NPT rear gas connection

## Certifications:



Models	Net Weight (kg)	Burners Included	External Dimensions (mm)	Control Method	Per BTU (B.T.U./h)	Total BTU (B.T.U./h)
<b>Manual Griddles</b>						
ATMG-24	72	2	609x701x386	manual	30.000	60.000
ATMG-36	104	3	914x701x386	manual	30.000	90.000
ATMG-48	134	4	1219x701x386	manual	30.000	120.000
<b>Thermostatic Griddles</b>						
ATTG-24	72	2	680x787x462	manual	25.000	50.000
ATTG-36	103	3	980x787x462	manual	25.000	75.000
ATTG-48	133	4	1310x787x462	manual	25.000	100.000

\* 2 gas option: LNG/LPG



ATTG-48



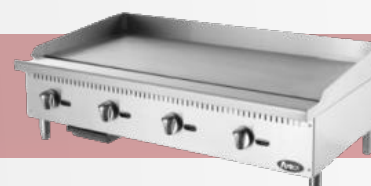
ATTG-36



ATMG-24



ATMG-36



ATMG-48



ATTG-24





# US COUNTERTOP RANGER (HOT PLATES)

## Features:

- Stainless steel exterior & interior
- 25.000 BTU stainless burners
- Stainless steel crumb tray
- Heavy duty burners
- Heavy duty cast iron top grates
- Independent manual controls
- 3/4" NPT rear gas connection
- Stainless steel legs standard

## Certifications:



Models	Net Weight (kg)	Burners Included	External Dimensions (mm)	Control Method	Per BTU (B.T.U./h)	Total BTU (B.T.U./h)
ATHP-12-2	25	2	304x701x332	manual	25.000	50.000
ATHP-24-4	43	4	609x701x332	manual	25.000	100.000
ATHP-36-6	61	6	914x701x386	manual	25.000	150.000

\* 2 gas option: LNG/LPG



ATHP-12-2



ATHP-24-4



ATHP-36-6





# US SINGLE & DOUBLE STOCK POT STOVES

## Features:

- Stainless steel sides and front valve
- Two manual controls
- Removable stainless steel drip pan
- Stainless steel legs standard
- Heavy duty cast iron top grates
- Heavy duty cast iron three-ring burners
- Stainless steel tubing for pilots

## Certifications:



Models	Net Weight (kg)	Burners Included	External Dimensions (mm)	Control Method	Per BTU (B.T.U./h)	Total BTU (B.T.U./h)
ATSP-18-1	47	1	457x533x579	manual	40.000	80.000
ATSP-18-2	91	2	457x1059x579	manual	40.000	160.000
ATSP-18-1L	46	1	457x533x454	manual	40.000	80.000
ATSP-18-2L	89	2	457x1059x454	manual	40.000	160.000

\* 2 gas option: LNG/LPG



ATSP-18-1



ATSP-18-2



ATSP-18-1L



ATSP-18-2L







# STAINLESS STEEL EQUIPMENT STANDS

## Features:

- Ships knocked down
- Tools are included
- Sturdy, stainless steel top surface
- Adjustable shelf and bullet feet
- Safety hemmed edge
- Added H-shape reinforced rib

## Certifications:

Models	Net Weight (kg)	Gross Weight (kg)	External Dimensions (mm)	Packing Size (mm)	Basetop Bearing (kg)	Layer Bearing (kg)
ATSE-2824	17	20	610x711x610	635x736x177	150	110
ATSE-2836	23	27	914x711x610	939x736x177	200	150
ATSE-2848	29	34	1219x711x610	1244x736x177	250	200
ATSE-3024	18	21	610x762x610	635x787x177	150	110
ATSE-3036	24	28	914x762x610	939x787x177	200	150
ATSE-3048	30	35	1219x762x610	1244x787x177	250	200



ATSE-2824  
ATSE-3024



ATSE-2836  
ATSE-3036



ATSE-2848  
ATSE-3048





# US GAS FRYER

## Features:

- Stainless steel exterior & interior
- Welded stainless steel tank
- Heavy duty burners
- High quality thermostat
- Oil tank captures food particles
- Safety valve
- Self-reset high temperature
- Two nickel plated baskets
- Wire mesh crumb screen
- 3/4" NPT rear gas connection

## Certifications:



Models	Net Weight (kg)	Burners Included	External Dimensions (mm)	Control Method	Per BTU (B.T.U./h)	Total BTU (B.T.U./h)
ATFS-35ES	60	3	406x762x1117	manual	20.000	60.000
ATFS-40	61	3	406x762x1117	manual	34.000	102.000
ATFS-50	65	4	406x762x1117	manual	34.000	136.000
ATFS-75	74	5	533x762x1117	manual	34.000	170.000

\* 2 gas option: LNG/LPG



ATFS-35ES



ATFS-40  
ATFS-50



ATFS-75







# US INFRARED BROILER

## Features:

- Stainless steel exterior & interior
- Dual valve controls for left and right side operation
- Two 21,500 BTU high efficient ceramic burners
- 1 minute pre-heat time
- Removable broiler rack and crumb catcher

## Certifications:



Models	Net Weight (kg)	Ignition Way	Internal Dimensions (mm)	Packing Dimensions (mm)	Per BTU (B.T.U./h)	Total BTU (B.T.U./h)
<b>Salamander Broiler</b>						
ATSB-36	64	Manual	807x386x101	1016x625x645	21,500	43,000
<b>Cheese Melter</b>						
ATCM-36	43	Manual	800x400x210	1016x625x645	21,500	43,000

\* 2 gas option: LNG/LPG



ATSB-36



ATCM-36





# WARMING CABINETS

## INSULATED HEATER/PROOFER/HOLDING CABINETS

### Features:

- Stainless steel exterior & interior
- Heating mode with adjustable temp
- 1.3" clearance between slides
- 10 humidity adjustments
- Easy to read LED display
- Humidifying water tray
- Fully insulated cabinet
- Detachable sliders
- 6' power cord
- Four castors standard

### Certifications:



Models	Capacity (Layer)	Temperature (°C)	External Dimensions (mm)	Body Material	Amps (A)	Voltage/Frequency (V/Hz)	Input Power (Watt)	Castor Wheels
ATHC-9-P	9	26~104	638x780x1085	Outside: S.S.201 Inside: S.S.304	8.6	220/50	2000	Yes
ATHC-18-P	18	26~104	638x780x1771	Outside: S.S.201 Inside: S.S.304	8.6	220/50	2000	Yes
ATWC-9-P	12	26~85	544x805x1085	Outside: S.S.201 Inside: S.S.304	7	220/50	1580	Yes
ATWC-18-P	24	26~85	544x805x1771	Outside: S.S.201 Inside: S.S.304	7	220/50	1580	Yes



ATHC-9-P



ATHC-18-P



ATWC-9-P



ATWC-18-P





# COUNTERTOP CONVECTION OVENS

## Features:

- Stainless steel exterior & interior
- Reinforced door
- Advanced air flow design
- 120 minute timer
- Interior light
- Removable wire rack holder
- Chrome oven racks

## Certifications:



Models	Capacity (L)	Temperature (°C)	External Dimensions (mm)	Shelves Included	Body Material	Amps (A)	Voltage/Frequency (V/Hz)	Input Power (Watt)	Gross Weight (kg)
CRCC-25	25	38~260	475x504x381	3	Outside: S.S.430 Inside: S.S.430	12	220/50	1440	21.5
CRCC-50	50	38~260	580x570x417	4	Outside: S.S.430 Inside: S.S.430	12.9	220/50	1550	28
CRCC-100	100	65~290	808x680x578	4	Outside: S.S.430 Inside: S.S.430	19.7-22.7	208-240/60	4100-5450	68



CRCC-25



CRCC-50



CRCC-100





# PORTABLE FRYER OIL FILTER WITH REVERSIBLE PUMP

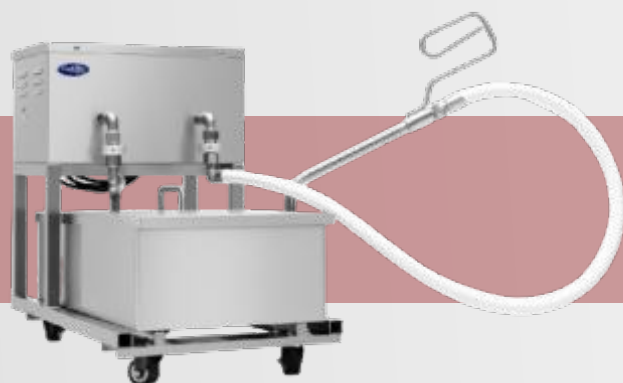
## Features:

- Extend the life of oil
- Improves food quality
- Reversible pump for efficient draining
- Ergonomic wand handle
- 120V 1/3 hp, 4 GPM heavy duty pump

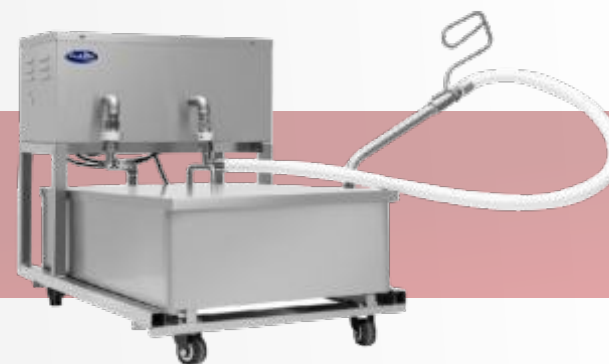
## Certifications:



Models	Capacity (LB)	Drain height (mm)	External Dimensions (mm)	Net Weight (kg)	Gross Weight (kg)	Amps (A)	Voltage/Frequency (V/Hz)	Input Power (Watt)	Castor Wheels
FPOF-50	50	289	414x750x609	36.5	61.3	5	220/50	2000	Yes
FPOF-80	80	289	514x850x609	43.9	70.7	5	220/50	2000	Yes



FPOF-50



FPOF-80





# GAS RANGES-24"

## Features:

- Stainless steel exterior
- Drip tray provided under burners
- Standing pilot for open top burners
- Oven pilot with 100% safety shut off
- Enamel interior
- Multiple position oven
- Two chrome oven rack
- 3/4" NPT rear gas connection
- Four castors standard

## Certifications:

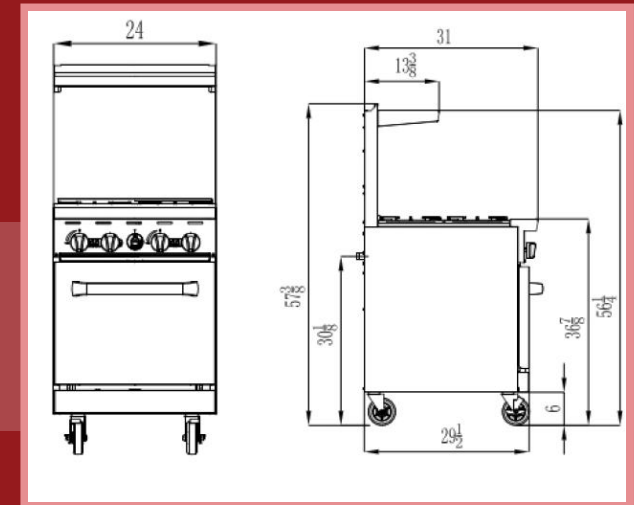
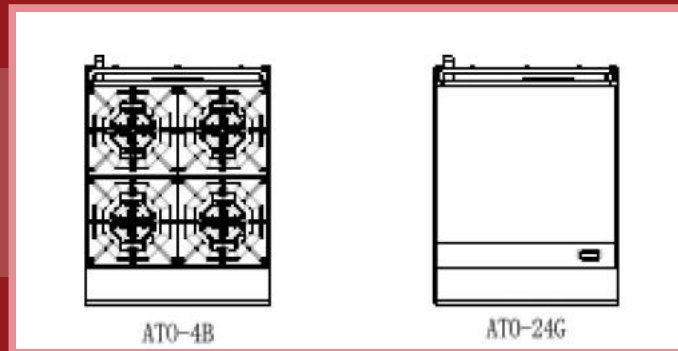


Models	Net Weight (kg)	Ignition Way	Exterior Dimensions (mm)	Oven Size (mm)	Valve Type	Temperature Control	Burner QTY (pcs)	Per BTU (B.T.U./h)	Total BTU (B.T.U./h)	Castor Wheels
ATO-4B	136	Manual	609x838x1422	508x660x355	Pilot light	Only the oven	4	25.000	124.000	Yes
ATO-24G	164	Manual	609x838x1422	508x660x355	Pilot light	Only the oven	1	27.000	72.000	Yes

\* 2 gas option: LNG/LPG



ATO-4B





# GAS RANGES-36"

## Features:

- Stainless steel exterior
- Drip tray provided under burners
- Standing pilot for open top burners
- Oven pilot with 100% safety shut off
- Enamel interior
- Multiple position oven
- Two chrome oven rack
- 3/4" NPT rear gas connection
- Four castors standard

## Certifications:

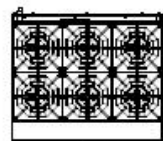


Models	Net Weight (kg)	Ignition Way	Exterior Dimensions (mm)	Oven Size (mm)	Valve Type	Temperature Control	Burner QTY (pcs)	Per BTU (B.T.U./h)	Total BTU (B.T.U./h)	Castor Wheels
ATO-6B	184	Manual	914x838x1422	675x660x355	Pilot light	Only the oven	6	25.000	177.000	Yes
ATO-4B12G	198	Manual	914x838x1422	675x660x355	Pilot light	Only the oven	4	25.000	148.000	Yes
ATO-12G4B	198	Manual	914x838x1422	675x660x355	Pilot light	Only the oven	4	25.000	148.000	Yes
ATO-2B24G	210	Manual	914x838x1422	675x660x355	Pilot light	Only the oven	2	25.000	125.000	Yes
ATO-24G2B	210	Manual	914x838x1422	675x660x355	Pilot light	Only the oven	2	25.000	125.000	Yes
ATO-36G	220	Manual	914x838x1422	675x660x355	Pilot light	Only the oven	0	23.000	102.000	Yes

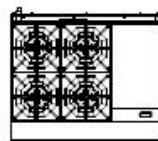
\* 2 gas option: LNG/LPG



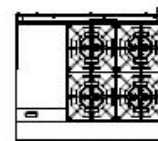
ATO-6B



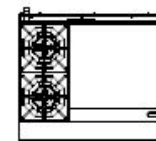
ATO-6B



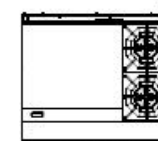
ATO-4B12G



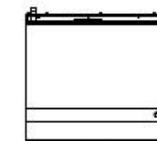
ATO-12G4B



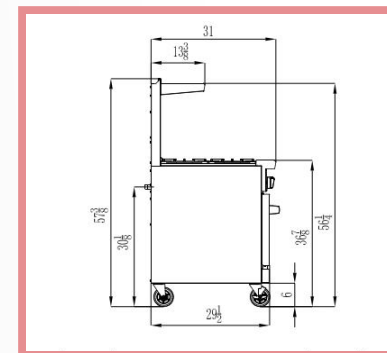
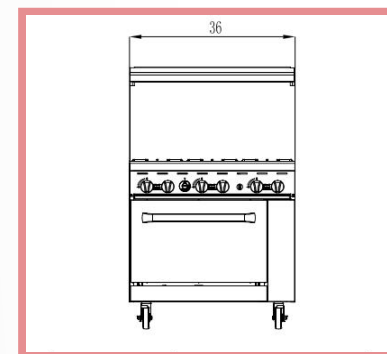
ATO-2B24G



ATO-24G2B



ATO-36G





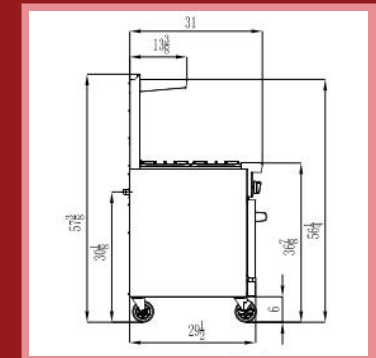
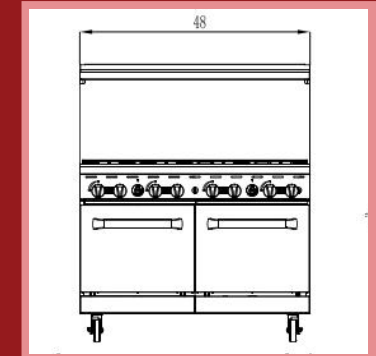


# GAS RANGES-48"

## Features:

- Stainless steel exterior
- Drip tray provided under burners
- Standing pilot for open top burners
- Oven pilot with 100% safety shut off
- Enamel interior
- Multiple position oven
- Two chrome oven rack
- 3/4" NPT rear gas connection
- Four castors standard

## Certifications:

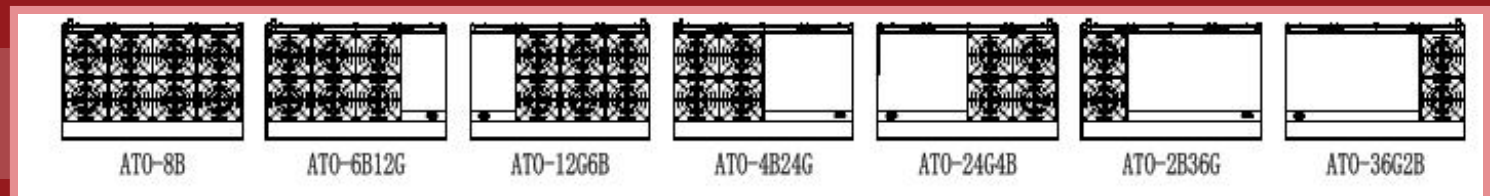


Models	Net Weight (kg)	Ignition Way	Exterior Dimensions (mm)	Oven Size (mm)	Valve Type	Temperature Control	Burner QTY (pcs)	Per BTU (B.T.U./h)	Total BTU (B.T.U./h)	Castor Wheels
ATO-8B	248	Manual	1219x813x1422	508x660x355	Pilot light	Only the oven	8	25.000	248.000	Yes
ATO-6B12G	258	Manual	1219x813x1422	508x660x355	Pilot light	Only the oven	6	25.000	219.000	Yes
ATO-12G6B	258	Manual	1219x813x1422	508x660x355	Pilot light	Only the oven	6	25.000	219.000	Yes
ATO-4B24G	268	Manual	1219x813x1422	508x660x355	Pilot light	Only the oven	4	25.000	196.000	Yes
ATO-24G4B	268	Manual	1219x813x1422	508x660x355	Pilot light	Only the oven	4	25.000	196.000	Yes
ATO-2B36G	278	Manual	1219x813x1422	508x660x355	Pilot light	Only the oven	2	25.000	173.000	Yes
ATO-36G2B	278	Manual	1219x813x1422	508x660x355	Pilot light	Only the oven	2	25.000	173.000	Yes

\* 2 gas option: LNG/LPG



ATO-8B







# GAS RANGES-60"



CV KARYA MUDAH SEJAHTERA



+62 818-0732-8340



a.saeroji@yamura.id



Jl. Glogor Carik No 9A, Denpasar, Bali

## Features:

- Stainless steel exterior
- Drip tray provided under burners
- Standing pilot for open top burners
- Oven pilot with 100% safety shut off
- Enamel interior
- Multiple position oven
- Two chrome oven rack
- 3/4" NPT rear gas connection
- Four castors standard

## Certifications:

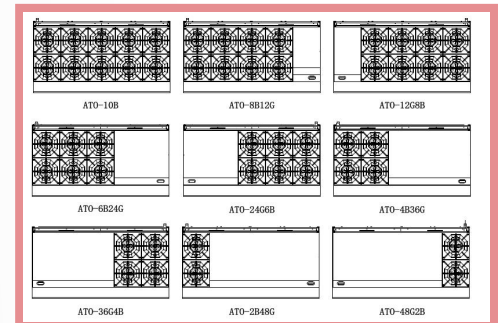
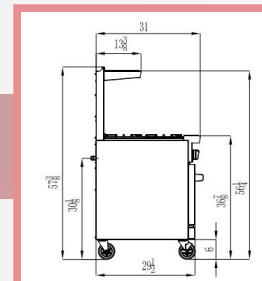
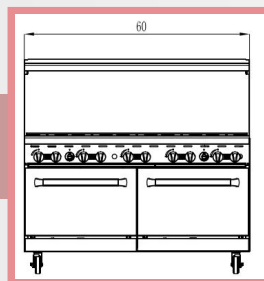


Models	Net Weight (kg)	Ignition Way	Exterior Dimensions (mm)	Oven Size (mm)	Valve Type	Temperature Control	Burner QTY (pcs)	Per BTU (B.T.U./h)	Total BTU (B.T.U./h)	Castor Wheels
ATO-10B	335	Manual	1524x813x1422	673x660x355	Pilot light	Only the oven	10	25.000	304.000	Yes
ATO-8B12G	340	Manual	1524x813x1422	673x660x355	Pilot light	Only the oven	8	25.000	275.000	Yes
ATO-12G8B	340	Manual	1524x813x1422	675x660x355	Pilot light	Only the oven	8	25.000	275.000	Yes
ATO-6B24G	332	Manual	1524x813x1422	675x660x355	Pilot light	Only the oven	6	25.000	252.000	Yes
ATO-24G6B	332	Manual	1524x813x1422	675x660x355	Pilot light	Only the oven	6	25.000	252.000	Yes
ATO-4B36G	345	Manual	1524x813x1422	675x660x355	Pilot light	Only the oven	4	25.000	229.000	Yes
ATO-36G4B	345	Manual	1524x813x1422	675x660x355	Pilot light	Only the oven	4	25.000	229.000	Yes
ATO-2B48G	355	Manual	1524x813x1422	675x660x355	Pilot light	Only the oven	2	25.000	206.000	Yes
ATO-48G2B	355	Manual	1524x813x1422	675x660x355	Pilot light	Only the oven	2	25.000	206.000	Yes

\* 2 gas option: LNG/LPG



ATO-10B





# EU 700 SERIES GAS STOVE (COUNTERTOP & FLOOR TYPE)

## Features:

- A60 plug valve - TAIWAN
- Flame out protection, manually ignition
- Grate with enamel treatment
- Burner's surface with Dacromet treatment

## Certifications:



Models	Ignition Way	Exterior Dimensions (mm)	Burner QTY (pcs)	Power per Burner (kW)	Total Power (kW)
--------	--------------	--------------------------	------------------	-----------------------	------------------

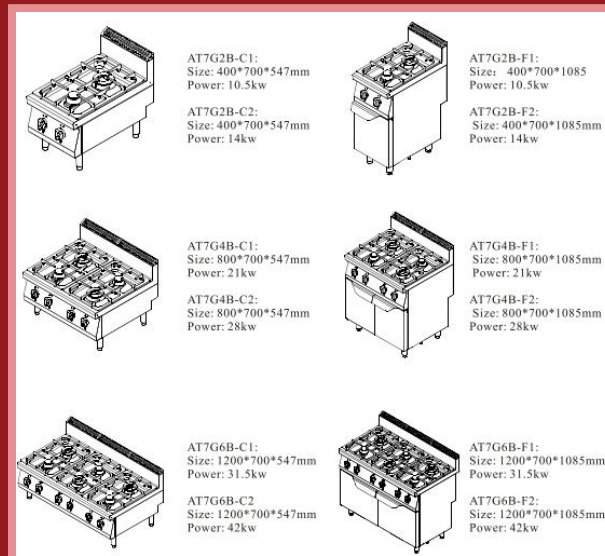
### Countertop

AT7G2B-C1	Manual	400x700x547	2	3.5 & 7	10.5
AT7G2B-C2	Manual	400x700x547	2	7	14
AT7G4B-C1	Manual	800x700x547	4	3.5 & 7	21
AT7G4B-C2	Manual	800x700x547	4	7	28
AT7G6B-C1	Manual	1200x700x547	6	3.5 & 7	31.5
AT7G6B-C2	Manual	1200x700x547	6	7	42

### Floor type

AT7G2B-F1	Manual	400x700x1085	2	3.5 & 7	10.5
AT7G2B-F2	Manual	400x700x1085	2	7	14
AT7G4B-F1	Manual	800x700x1085	4	3.5 & 7	21
AT7G4B-F2	Manual	800x700x1085	4	7	28
AT7G6B-F1	Manual	1200x700x1085	6	3.5 & 7	31.5
AT7G6B-F2	Manual	1200x700x1085	6	7	42

\* 2 gas option: LNG/LPG





# EU 900 SERIES GAS STOVE (COUNTERTOP & FLOOR TYPE)

## Features:

- A60 plug valve - TAIWAN
- Flame out protection, manually ignition
- Grate with enamel treatment
- Burner's surface with Dacromet treatment

## Certifications:



Models	Ignition Way	Exterior Dimensions (mm)	Burner QTY (pcs)	Power per Burner (kW)	Total Power (kW)
--------	--------------	--------------------------	------------------	-----------------------	------------------

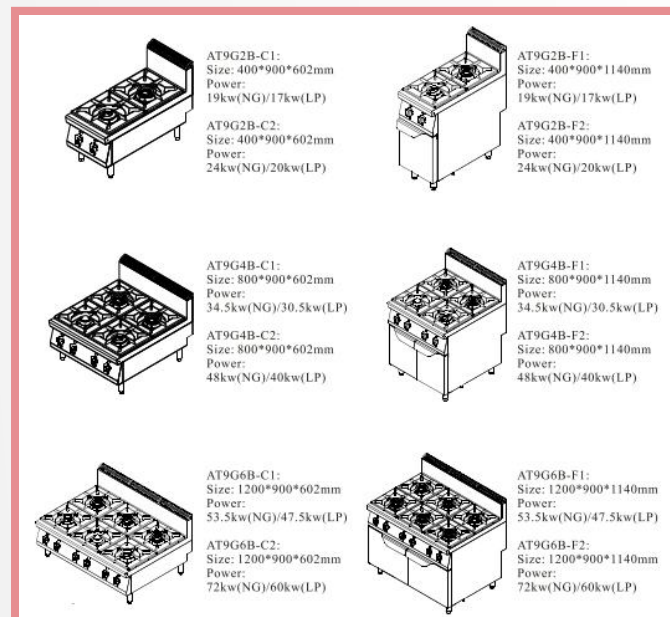
### Countertop

AT9G2B-C1	Manual	400x900x602	2	7 & 12	19
AT9G2B-C2	Manual	400x900x602	2	12	24
AT9G4B-C1	Manual	800x900x602	4	7 & 12	34.5
AT9G4B-C2	Manual	800x900x602	4	12	48
AT9G6B-C1	Manual	1200x900x602	6	7 & 12	53.5
AT9G6B-C2	Manual	1200x900x602	6	12	72

### Floor type

AT9G2B-F1	Manual	400x900x1140	2	7 & 10	17
AT9G2B-F2	Manual	400x900x1140	2	10	20
AT9G4B-F1	Manual	800x900x1140	4	7 & 10	30.5
AT9G4B-F2	Manual	800x900x1140	4	10	40
AT9G6B-F1	Manual	1200x900x1140	6	7 & 10	47.5
AT9G6B-F2	Manual	1200x900x1140	6	10	60

\* 2 gas option: LNG/LPG





# EU 700 SERIES GAS STOVE WITH OVEN

## Features:

- A60 plug valve - TAIWAN
- Flame out protection
- Grate with enamel treatment
- Burner's surface with Dacromet treatment

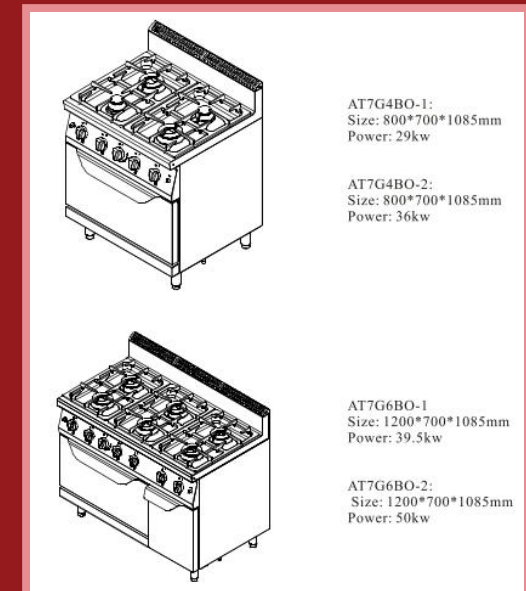
## Certifications:



Models	Oven size (mm)	Exterior Dimensions (mm)	Burner QTY (pcs)	Temperature Control	Temperature Range (°C)	Power per Burner (kW)	Total Power (kW)
AT7G4BO-1	695x560x320	800x700x1085	4	Only the oven	100~300	3.5, 7, 8	29
AT7G4BO-2	695x560x320	800x700x1085	4	Only the oven	100~300	7 & 8	36
AT7G6BO-1	695x560x320	1200x700x1085	6	Only the oven	100~300	3.5, 7, 8	39.5
AT7G6BO-2	695x560x320	1200x700x1085	6	Only the oven	100~300	7 & 8	50

\* 2 gas option: LNG/LPG

\* All hot plates manual ignition type, oven Piezo Igniter type





# EU 900 SERIES GAS STOVE WITH OVEN

## Features:

- A60 plug valve - TAIWAN
- Flame out protection, manually ignition
- Grate with enamel treatment
- Burner's surface with Dacromet treatment

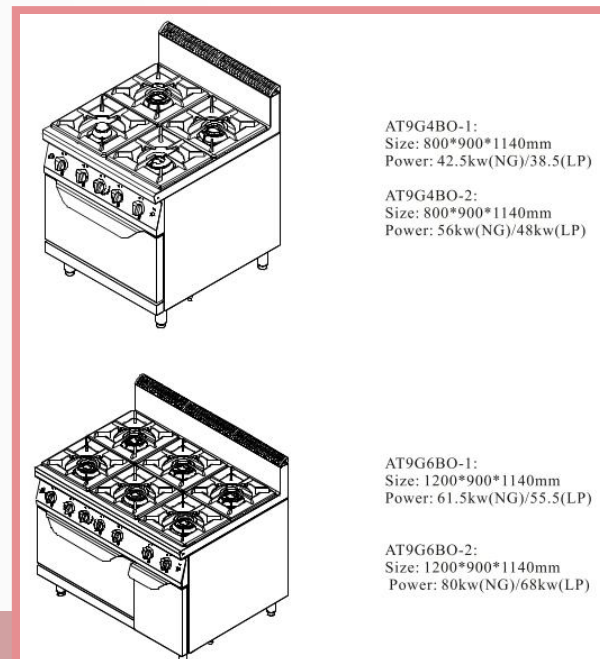
## Certifications:



Models	Oven size (mm)	Exterior Dimensions (mm)	Burner QTY (pcs)	Temperature Control	Temperature Range (°C)	Power per Burner (kW)	Total Power (kW)
AT9G4BO-1	695x560x320	800x900x1140	4	Only the oven	100~300	3.5, 7, 12, 8(NG)/3.5, 7, 10, 8(PG)	42.5(NG)/38.5(PG)
AT9G4BO-2	695x560x320	800x900x1140	4	Only the oven	100~300	12 & 8(NG)/10 & 8(PG)	56(NG)/48(PG)
AT9G6BO-1	695x560x320	1200x900x1140	6	Only the oven	100~300	3.5, 7, 12, 8(NG)/3.5, 7, 10, 8(PG)	61.5(NG)/55.5(PG)
AT9G6BO-2	695x560x320	1200x900x1140	6	Only the oven	100~300	12 & 8(NG)/10 & 8(PG)	80(NG)/68(PG)

\* 2 gas option: LNG/LPG

\* All hot plates manual ignition type, oven Piezo Igniter type







# 700 & 900 SERIES GAS PASTA COOKER (FLOOR TYPE)

## Features:

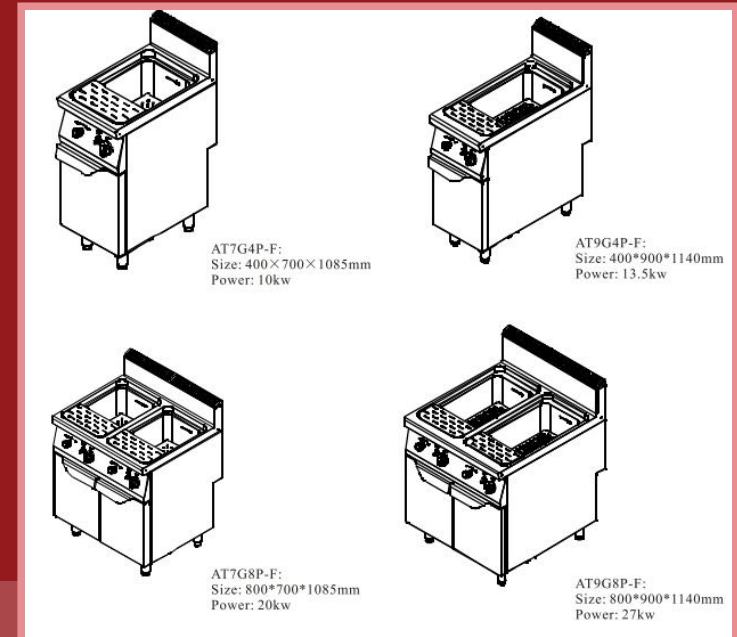
- A60 plug valve - TAIWAN
- Temperature limiter - GERMANY EGO 240C
- Piezo igniter, automatic ignition

## Certifications:



Models	Cylinder size (mm)	Exterior Dimensions (mm)	Burner QTY (pcs)	Ignition Way	Power per Burner (kW)	Total Power (kW)
AT7G4P-F	308x343x300	400x700x1085	1	Piezo Igniter	10	10
AT7G8P-F	308x343x300	800x700x1085	1	Piezo Igniter	10	20
AT9G4P-F	308x510x300	400x900x1140	1	Piezo Igniter	13.5	13.5
AT9G8P-F	308x510x300	800x900x1140	1	Piezo Igniter	13.5	20

\* 2 gas option: LNG/LPG





# 700 & 900 SERIES GAS CHAR BROILER (COUNTERTOP & FLOOR TYPE)

## Features:

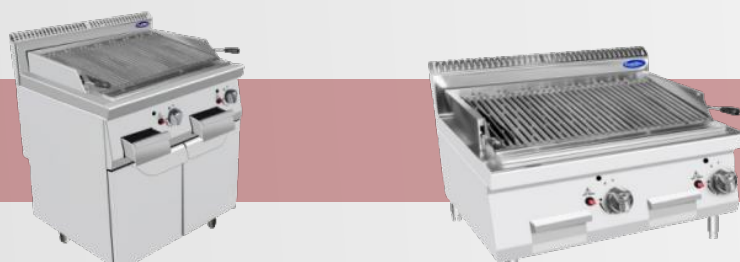
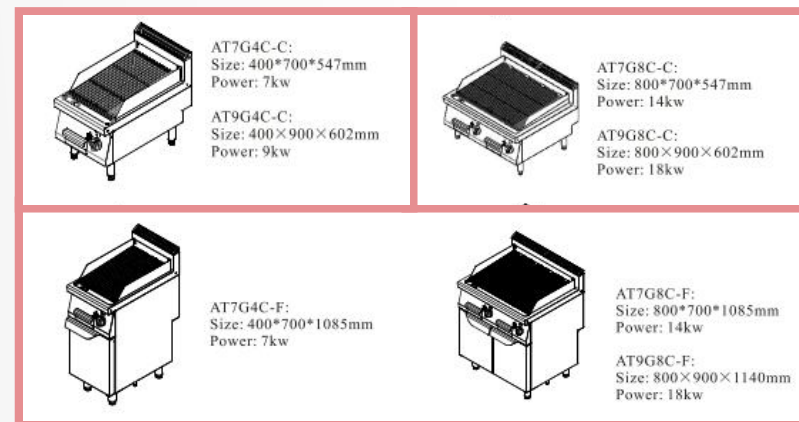
- A60 plug valve - TAIWAN
- Flame out protection

## Certifications:



Models	Cooking Area (mm <sup>2</sup> )	Exterior Dimensions (mm)	Burner QTY (pcs)	Ignition Way	Power per Burner (kW)	Total Power (kW)
<b>Countertop</b>						
AT7G4C-C	365x535	400x700x547	1	Piezo Igniter	7	7
AT9G4C-C	356x648	400x900x602	1	Piezo Igniter	7	9
AT9G8C-C	712x648	800x900x602	2	Piezo Igniter	9	18
<b>Floor type</b>						
AT7G4C-F	365x535	400x700x1085	1	Piezo Igniter	7	7
AT7G8C-F	712x535	800x700x1085	2	Piezo Igniter	7	14
AT9G4C-F	356x648	400x900x1140	1	Piezo Igniter	9	9
AT9G8C-F	712x648	800x900x1140	2	Piezo Igniter	9	18

\* 2 gas option: LNG/LPG







# 700 & 900 SERIES GAS GRIDDLE (COUNTERTOP & FLOOR TYPE)

## Features:

- A60 plug valve - TAIWAN
- Piezo igniter, automatic ignition
- Griddle 11mm A3 steel plate

### Multi Griddle Plate

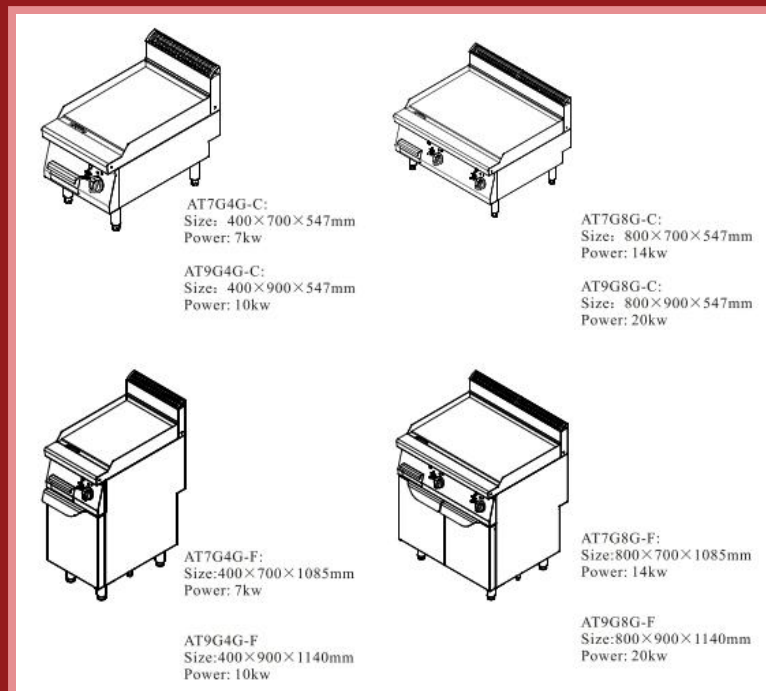
- For 400 mm Griddle:  
All smooth or all grooved
- For 800mm Griddle:  
All smooth or all grooved  
1/2 grooved on the left  
1/2 grooved on the right  
1/3 grooved on the left  
1/3 grooved on the right

## Certifications:



Models	Cooking Area (mm <sup>2</sup> )	Exterior Dimensions (mm)	Burner QTY (pcs)	Ignition Way	Power per Burner (kW)	Total Power (kW)
<b>Countertop</b>						
AT7G4G-C	395x504	400x700x547	1	Piezo Igniter	7	7
AT7G8G-C	796x504	800x700x547	2	Piezo Igniter	7	14
AT9G4G-C	396x694	400x900x602	1	Piezo Igniter	10	10
AT9G8G-C	796x694	800x900x602	2	Piezo Igniter	10	20
<b>Floor Type</b>						
AT7G4G-F	395x504	400x700x1085	1	Piezo Igniter	7	7
AT7G8G-F	796x504	800x700x1085	2	Piezo Igniter	7	14
AT9G4G-F	396x694	400x900x1140	1	Piezo Igniter	10	10
AT9G8G-F	796x694	800x900x1140	2	Piezo Igniter	20	20

\* 2 gas option: LNG/LPG





# 700 & 900 SERIES GAS FRYER (FLOOR TYPE)

## Features:

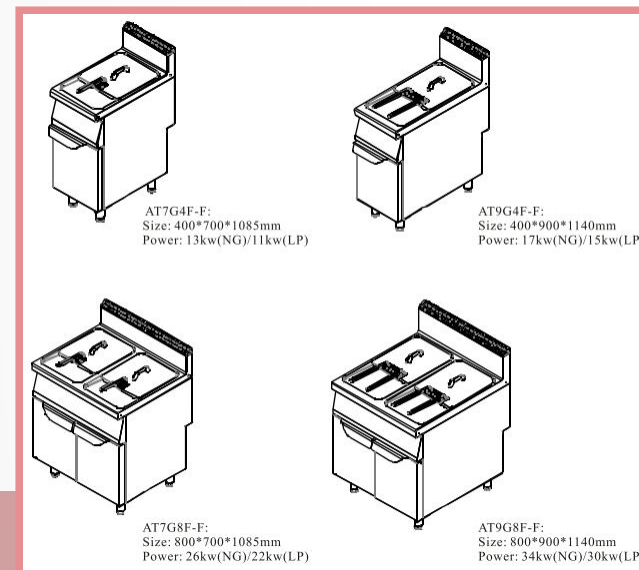
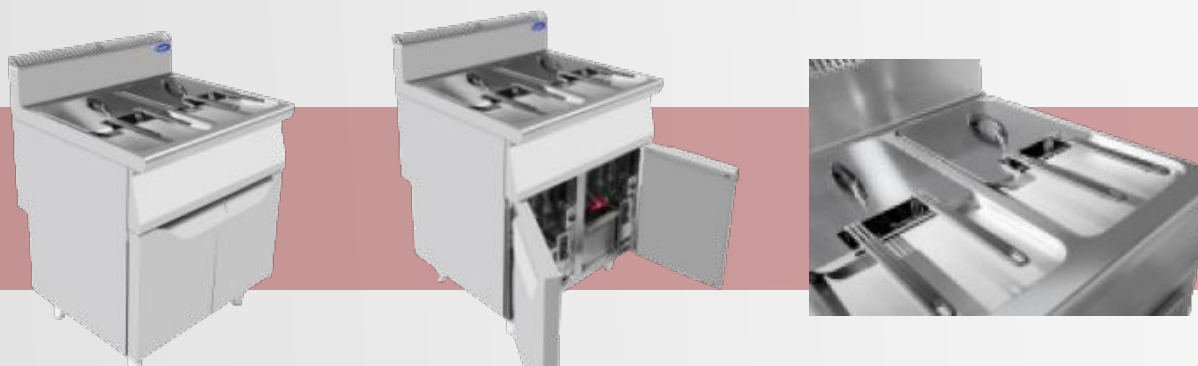
- Flame out protection, automatic ignition
- Temperature control valve - GERMANY MAXITROL GV31
- Cast-iron burner

## Certifications:



Models	Oil Capacity (L)	Exterior Dimensions (mm)	Burner QTY (pcs)	Ignition Way	Temperature Range (°C)	Power per Bunner (kW)	Total Power (kW)
AT7G4F-F	16	400x700x1085	1	Automatic	110~190	13(NG)/11(PG)	13(NG)/11(PG)
AT7G8F-F	32	800x700x1085	2	Automatic	110~190	13(NG)/11(PG)	26(NG)/22(PG)
AT9G4F-F	21	400x900x1140	1	Automatic	110~190	17(NG)/15(PG)	17(NG)/15(PG)
AT9G8F-F	42	800x900x1140	2	Automatic	110~190	17(NG)/15(PG)	34(NG)/30(PG)

\* 2 gas option: LNG/LPG





# ELECTRIC COUNTERTOP FRYER

## Features:

- Dust cover: 201 stainless steel
- Body: 201 stainless steel
- Frying basket: 304 stainless
- Steel flat net: 304 stainless steel

## Certifications:



Models	Capacity (L)	Exterior Dimensions (mm)	Net Weight (kg)	Voltage (V/Hz)	Temperature Range (°C)	Power per Burner (kW)	Total Power (kW)
ATEF-04L	4	270x380x315	5.6	220-240/50	50~190	2.5	2.5
ATEF-4L-2	2x4	490x380x315	10.3	220-240/50	50~190	2.5	5
ATEF-8L	8	270x480x395	7.3	220-240/50	50~190	3.25	3.25
ATEF-8L-2	2x8	545x480x395	13.7	220-240/50	50~190	3.25	6.5
ATEF-08L	8	290x480x430	8.4	220-240/50	50~190	3.25	3.25
ATEF-08L-2	2x8	580x480x430	15.1	220-240/50	50~190	3.25	6.5



ATEF-08L-2



ATEF-08L



ATEF-04L



ATEF-4L-2



ATEF-8L



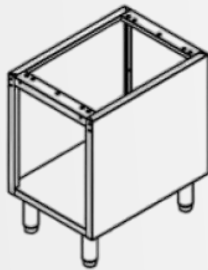
ATEF-8L-2





# 700 & 900 SERIES BASE CABINET

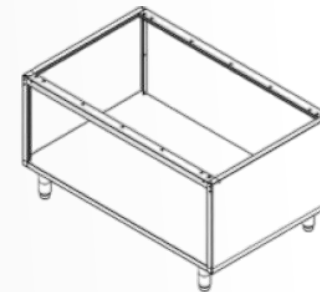
Models	Dimensions (mm)
ATBC74	400x555x640
ATBC94	400x755x640
ATBC78	800x555x640
ATBC98	800x755x640
ATBC712	1200x555x640
ATBC912	1200x755x640
ATBC74-D	400x653x640
ATBC94-D	400x853x640
ATBC78-D	800x653x640
ATBC98-D	800x853x640
ATBC712-D	1200x653x640
ATBC912-D	1200x853x640



ATBC74  
ATBC94



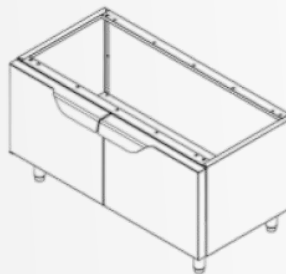
ATBC712  
ATBC912



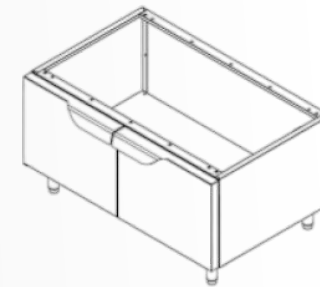
ATBC78  
ATBC98



ATBC74-D  
ATBC94-D



ATBC712-D  
ATBC912-D



ATBC78-D  
ATBC98-D

